

RV STOP Portable Parking Alarm

Thank you!

Congratulations on the purchase of the RV STOP™ portable parking alarm.

This innovative product has been designed to help you position your recreational vehicle (RV) at campsites or your home parking spot. With the RV STOP you will always have a dependable assistant available to alert you when to stop your RV.

Our goal at Rv Insite is to make the RV experience more enjoyable by manufacturing quality products that help the RV enthusiast get “in-site” quickly and safely.

Please read the following instructions to get the full benefits of the RV STOP.

Important

Read, understand, and follow these instructions before using the RV STOP.

CAUTION: This device does not alert you if someone or something is in the path of your vehicle or your RV. Always be aware of what is in the path of your RV before moving the vehicle.

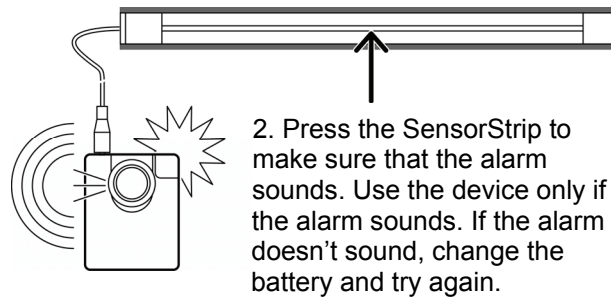
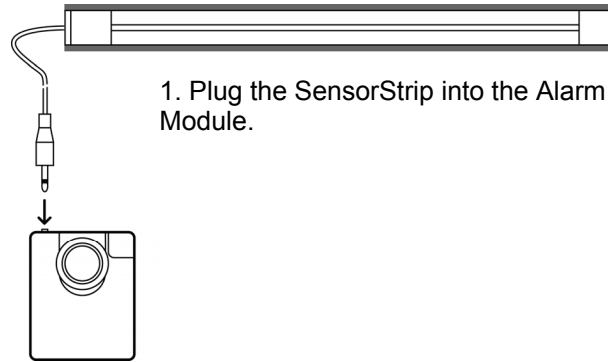
CAUTION: Test the device before each use to make sure the alarm is functioning properly. If the alarm doesn't sound, don't use the device.

WARNING: The alarm from the Alarm Module is very loud. Do not place the Alarm Module near your own or anyone else's ears when testing or using the device.

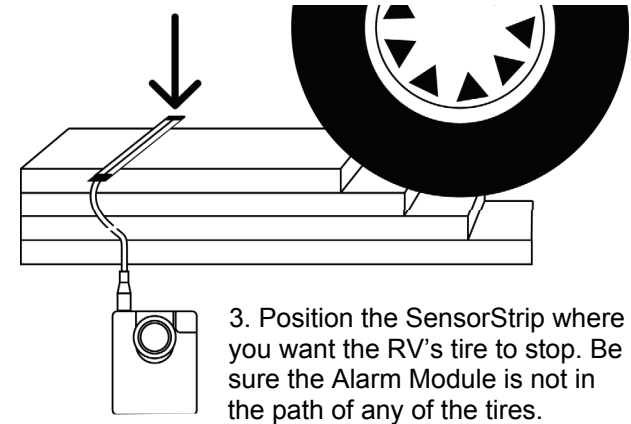
How to use it

This device alerts you when the RV's tire contacts the SensorStrip™. Using the device is a simple matter of placing the SensorStrip where you want the RV's tire to stop.

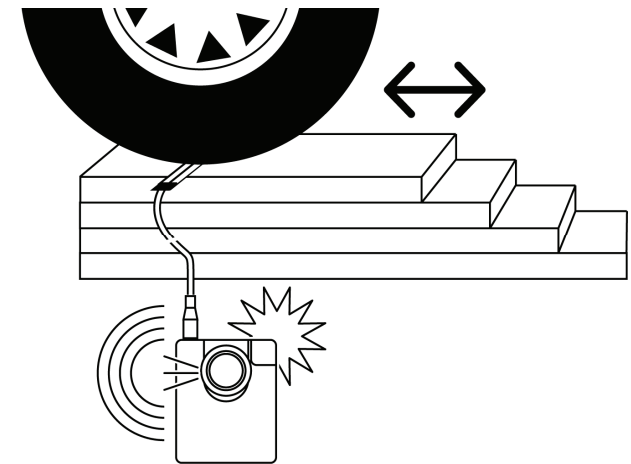
To use the RV STOP:



Instructions for use



Note: If you are backing into a site, ensure that there is adequate clearance behind the rear of your RV.



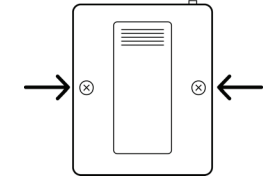
5. Remove the SensorStrip from under the RV. It is not recommended that the SensorStrip be left under the RV tire for extended periods of time.

6. Unplug the SensorStrip from the Alarm Module. Store the Alarm Module and SensorStrip in the storage pouch provided.

How to replace the battery

A new battery should last the entire camping season. We recommend that you remove and discard the battery at the end of each camping season, and install a new battery at the beginning of each camping season. As the battery wears out, the sound level of the alarm will decrease. If you notice that the alarm is not as loud as it once was, it may be time to replace the battery.

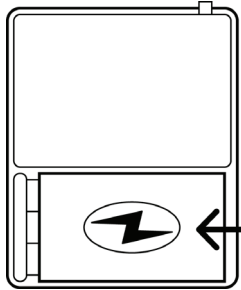
To replace the battery:



1. Unplug the SensorStrip from the Alarm Module.

2. Remove the two screws from the back of the Alarm Module.

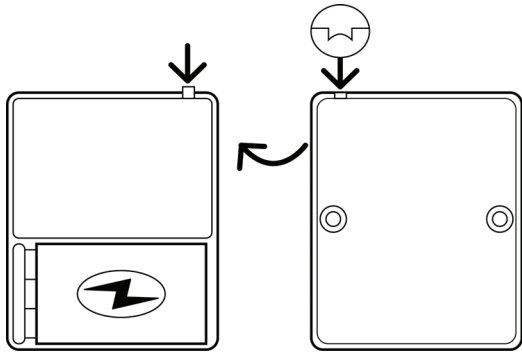
3. Remove the back cover from the Alarm Module. You may find it easier to remove the back cover if you hold the module with one hand, and then pull the edges of the back with the other hand.



4. Replace the battery.

5. Put the back on the Alarm Module and tighten

the two screws. Be careful when lining up the back cover. It only goes on one way, as shown in the figure. Do not over-tighten the screws.



6. Plug in the SensorStrip and press it to test the alarm.

One year limited warranty

Rv Insite, Inc. (the "Company") warrants to the original purchaser of this RV Stop that the product will be free from defects in workmanship and material for a period of twelve (12) months from the date of original purchase. If within twelve (12) months from the date of original purchase this product fails due to defect in materials or workmanship, the Company will repair or replace the product free of charge, or, at the Company's option, refund the purchase price. Simply contact the Company in writing for warranty claim details at: Rv Insite, P.O. Box 42, Allison Park, PA 15101, USA.

This warranty does not apply to: (a) damage to the product caused by abuse, mishandling or misuse, (b) products not used in accordance with directions, (c) normal wear or tear, or (d) damage caused by acts of Nature. In addition, consequential and incidental damages, such as damage to persons or property, are not recoverable under this warranty. Note that some states do not allow the exclusion or limitation of incidental or consequential damages, so this limitation may not apply to you.

Accessories available

The following accessories are available online at www.rvinsite.com

- 1-foot SensorStrip (standard)
- 2-foot SensorStrip
- 6-foot extension cable for SensorStrip
- Replacement Alarm Module

RV STOP, SensorStrip, and Rv Insite are trade marks of Rv Insite, Inc. Patent pending.

Rv Insite
P.O. Box 42
Allison Park, PA 15101
USA



Portable Parking Alarm

Instructions for use

